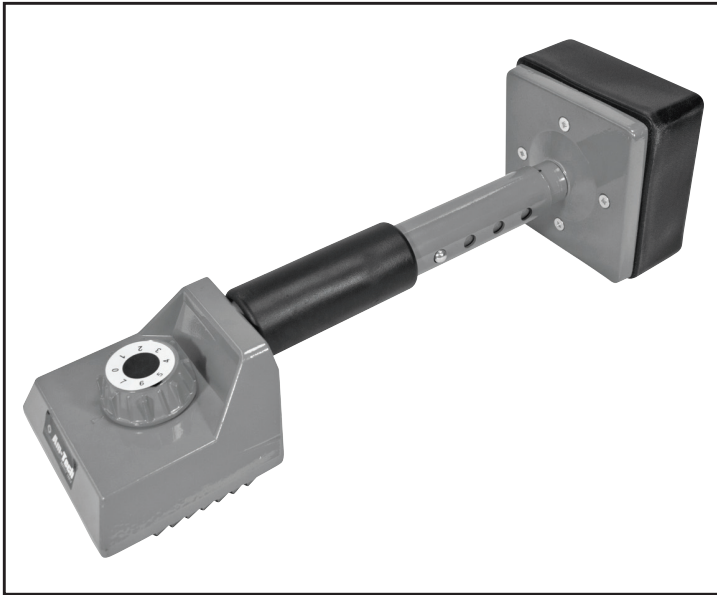




CARPET INSTALLER KNEE KICKER

INSTRUCTION MANUAL AND SAFETY GUIDE

Stock Code: S1950



WARNING: Using hand tools can be dangerous. Always take care and keep away from children. Wear protective eyewear in work area at all times. Always wear work gloves. Select the correct type and size of hand tool for work.

DK TOOLS LTD
Units 1 & 2 Northpoint Business Centre, Horton Road, West Drayton, Middlesex, UB7 8EQ





IMPORTANT: PLEASE READ THESE INSTRUCTIONS CAREFULLY. PLEASE NOTE THE SAFE OPERATIONAL REQUIREMENTS, WARNINGS AND CAUTIONS. USE THIS PRODUCT CORRECTLY AND WITH CARE FOR THE PURPOSE FOR WHICH IT IS INTENDED. FAILURE TO DO SO MAY CAUSE DAMAGE AND/OR PERSONAL INJURY. PLEASE KEEP THE INSTRUCTIONS SAFE FOR FUTURE USE.

CARPET INSTALLER KNEE KICKER

Stock Code: S1950

SPECIFICATIONS:

- Adjustable teeth depth settings for different carpet thickness
- Extending steel tubes with four settings for length adjustment
- Ultra wide aluminium head with replaceable grippers
- Steel teeth construction
- Protective knee pad and padded handle

This Carpet Kicker allows you to manoeuvre the carpet into its final position and 'knee-kick' the edge onto the gripper rail with ease and precision. It is suitable for use with carpets that are intended to be fitted by means of a gripper rail. You should check to ensure that your carpet may be fitted using a carpet kicker.

UNPACKING:

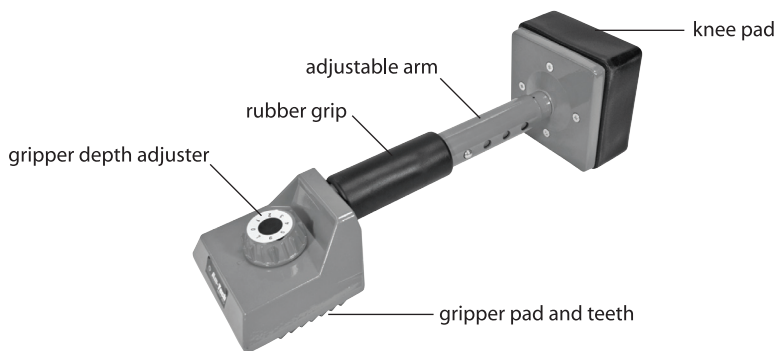
When unpacking, make sure the item is intact and undamaged.

SAFETY PRECAUTIONS:

IMPORTANT: Failure to follow these precautions could result in personal injury, and/or damage to property.

1. Take care handling the kicker. The head has sharp blades and teeth.
2. Never leave the kicker with the gripper pad and teeth facing upwards when the safety cover is not fitted.
3. ALWAYS concentrate on the job in hand, no matter how trivial it may seem. Be aware that accidents are caused by carelessness due to familiarity.

PREPARATION FOR USE:



The Carpet Kicker is used for the final fitting of a carpet, and the following conditions are therefore assumed to be in effect.

1. The gripper rail has been correctly positioned around the edges of the room and properly secured to the floor.
2. The underlay has been laid and secured to the floor in the area bounded by the gripper rail.
3. The carpet has been cut oversize according to the required room shape.
4. The carpet has been correctly orientated and placed approximately in position in the room where it is to be laid.
5. The carpet has been spread out in the room so that it is flat to the underlay

The length of the kicker can be adjusted to best suit the user's preference and working space.

The teeth can be set to protrude to a depth to best suit the thickness of the carpet to be fitted.

The protection cover should always be fitted when the kicker is not in use and should be left in place whilst adjusting the kickers' length. The teeth must be retracted (setting 0) for the cover to be fitted. Keep the cover handy for re-use during the job.

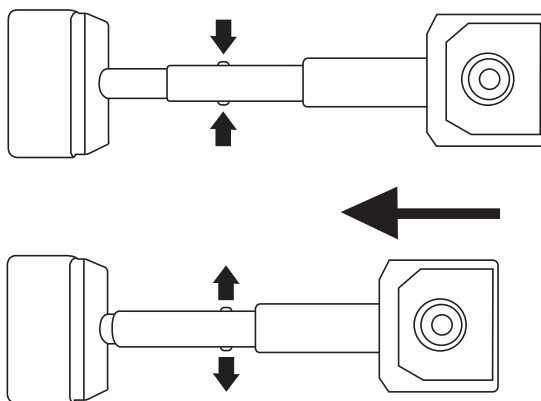
To remove the cover, grip it and pull it away from the kicker head.

LENGTH ADJUSTMENT:

The telescopic steel tube is locked by means of spring pins. The captive pins lock the tubes in position through holes in the tubes. There are two locking pins. These allow the kicker to be increased in overall length from 46cm to 61cm.

To adjust the length:

1. Press the two pins inwards and hold them in this position whilst rotating one tube so the pins are out of alignment so they remain depressed.
2. Adjust to the required length by moving the ends of the kicker closer together or further apart, as required, then rotate the tubes until the holes and pins are realigned. The pins will spring out and lock the tubes in position.



TEETH DEPTH ADJUSTMENT:

The teeth depth may be adjusted by means of the rotary depth control knob. There are eight settings, 0 to 7. The lowest setting is '0' for thin pile carpets. The maximum setting is '7' for deep pile carpets.

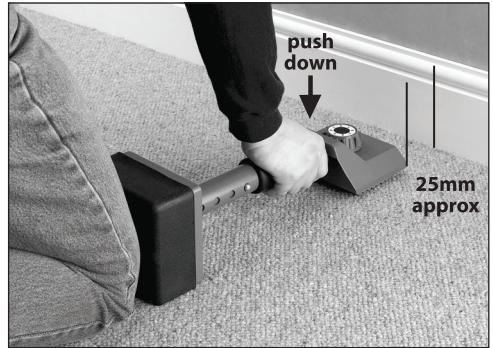
Determine the teeth depth required for the carpet to be laid.

To do this, test on an off-cut of carpet to ensure teeth depth selection is correct. The teeth should be adjusted to grip the base material of the carpet and not to pierce it, as this could damage the underlay. Rotate the adjuster knob to raise or lower the teeth.



METHOD OF USE:

1. Set the teeth to a depth to suit the carpet thickness, as described previously.
2. Kneel close to one corner of the longest edge of the carpet and place the kicker about 25 mm from the edge of the gripper rail and facing the skirting board.
3. Sink the teeth into the carpet and apply reasonable downward pressure on the handle-grip.
4. Use your knee to 'kick' the padded end of the kicker so as to jog the carpet forward, whilst pushing down on the edge of the carpet so that it is held by the carpet gripper



5. Work your way along this edge repeating the operation, then cut and tuck the carpet edge between the gripper rail and skirting board.
6. Repeat along the opposite edge of the carpet other edges as required.
7. If in doubt about the fitting procedure please contact an experienced fitter.

MAINTENANCE:

The only maintenance required is to ensure that after use, any carpet pile that may have attached itself to the gripper pad is completely removed, and the Kicker is stored with the grippers teeth protection cover in place. Gripper teeth and Gripper Blade pad assemblies are not available as spare parts.

IMPORTANT:

No liability is accepted for the incorrect use of the product. Whilst every effort has been made to ensure accuracy of information contained in this manual the DK Tools Ltd policy of continuous improvement determines the right to make modifications without prior warning.